



Heil Cementer **1000 Cubic Feet of Heil Quality!**

HEIL Light Weight Bi-Metal End Frames

HEIL Galvanized Frame Rails

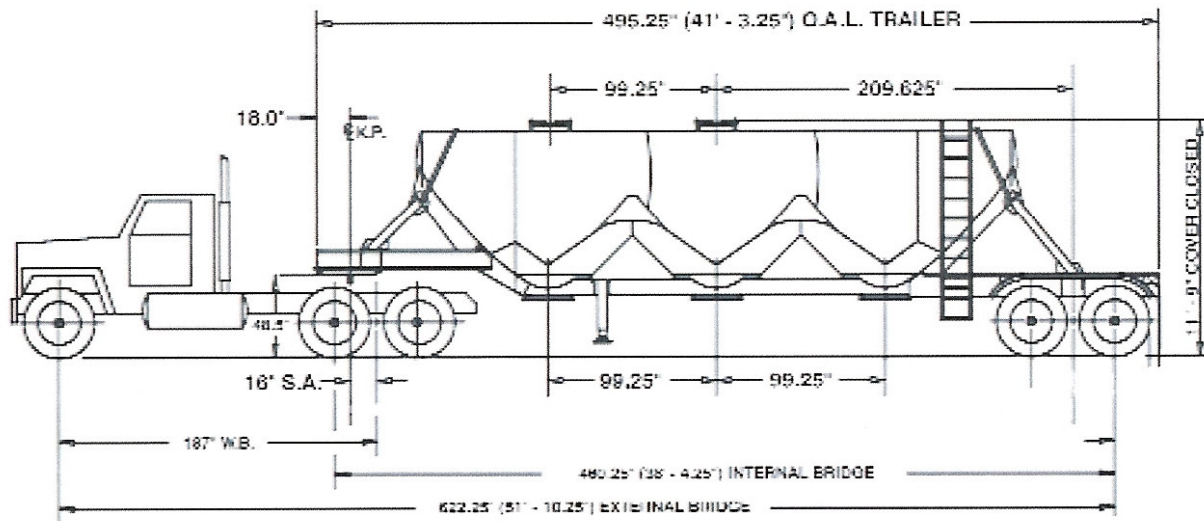
HEIL Designed Specifically for the Cement Industry

HEIL In Stock, Ready for Delivery

Call your local Heil distributor or Heil Trailer International today to learn what the next generation Heil bulk trailer can do for you!



Standard Specifications Model Blue Label 1000 Aluminum 3-Hopper Pneumatic



TANK STRUCTURE

Capacity - 1,000 cubic feet

Design Pressure - 15 PSIG

Tank Material - 5454-H32 Aluminum vessel, composite end frames.

Hoppers - Three with welded lower cones.

Manholes - (2) 20" full opening cast aluminum covers, pressure type with 6 cam type hold-downs and safety catch, hinged at curbside, one center, one rear.

Walkway - Skid resistant tape on top shell between 1 1/4" diameter toe rails.

Ladder - Aluminum mounted at rear.

PIPING

Aeration - (3) aerators per hopper

Product Piping - 5" Butterfly valve at each hopper, 4" aluminum product line extends to rear and equipped with 4" aluminum adapter and dust cap.

Air Piping - 3" aluminum air manifold with inlet at roadside front, 3" adapter on end.

Proportioning Line - 3" aluminum with 3" butterfly control valve.

Aeration Control - Single 3" butterfly control valve.

Blowdown Line - 3" aluminum line located roadside front with 3" aluminum butterfly valve.

Relief Valve - Mechanical mounted in blowdown line.

Check Valves - 3" flanged check valves, one downstream of the proportioning valve and one near inlet.

Pressure Gauges - (2) 0-30 PSI gauges mounted in frame rail.

UNDERCARRIAGE

Suspension - Intraax AA230 air ride

Axles - 71 1/2" track, tapered spindles.

Brakes - 16 1/2 x 7", S-Cam, quick change style, automatic slack adjusters, 30/30 long stroke spring brake chambers on each axle, 4S/2M anti-lock premium brake system.

Hubs & Drums - aluminum hubs with outboard centrifuse drums

Wheels - steel or aluminum

Tires - Goodyear, Wingfoot or Bridgestone R194

TANK ACCESSORIES

Fenders - Contour aluminum at front & rear, bolt on.

Upper Fifth Plate - Bolted & adjustable.

Landing Gear - 2 Speed with sandshoes, gearbox and crank on roadside.

Lights and Wiring - 12 Volt sealed harness system, Trucklite lamps, 7 way SAE J-560 connector at front.

Paint - Gray Dupont Imron series 5000 on steel parts, galvanized frame rails.

Hose Tube - One 8" X 21' long with cast aluminum door at rear mounted curbside.

All products, specifications, as described or illustrated, are subject to change without notice.

For additional information contact your local Heil Distributor or regional sales manager.